

No 6

Richard Bryan
Acct & Rec for \$105.

31st March 1821

US Bureau of Indian Affairs
Records of Cherokee Trading House 1803-1824
Misc accts 1816-24
Dist. Wash. Arch. 1960
Microfilm T500 Roll 3

The Chaktaw Trading House

1891

To Richard Bryan D^r

March 31st For 3 months services as skowman
& assisting in the Stone ending
31st March @ \$35 per month \$105.00

Received from John Hersey agent to the
Chaktaw Trading House one hundred & five
dollars in full for the above account

Signed Triplicates
Chaktaw Trading House
March 31st 1891
Richard Bryan

0769

No 5
Recd. Bryan
act + Recd for \$105.00

Jan 30th 1891

0774

The Chautauk Trading House

1824 To Richard Bryan D^r

June 30th For Three months Service rendered

Said Trading House as Shipment

ending this day at \$35 per month \$105

Received from John Husey Agent to the
Chautauk Trading House one hundred and
five dollars in full of the above Account

Signed & Certified
June 30th 1824

Richard Bryan

6775

An abstract of the following

particulars of the accounts of the

March 20	To Charles Weeks used for making		
"	to cash paid for the following items		
"	11 ⁰⁰ 00 1/2 from freight charges on goods from		
	Mobile to the Factory, as per act & rec. dated March 2 ^d 1831	11 ⁰⁰ 00 1/2	11 ⁰⁰ 00 1/2
"	11 ⁰⁰ 00 1/2 from freight charges on goods from		
	Birmingham to the Factory, as per act & rec.		
	dated March 2 ^d 1831	11 ⁰⁰ 00 1/2	11 ⁰⁰ 00 1/2
"	Geo. McVee for services as per act		
	and rec. dated March 2 ^d		
"	J. M. Dwyer for services as per act		
	and rec. dated March 31 st		
"	Richard Dwyer for 3 months services		
	as interpreter as per act & rec.		
	dated March 31 st	11 ⁰⁰ 00 1/2	11 ⁰⁰ 00 1/2
"	J. C. Pitcher for 3 months services		
	as interpreter as per act & rec.		
	dated March 31 st	11 ⁰⁰ 00 1/2	11 ⁰⁰ 00 1/2

March 31st 1831

John Henry

1831

The Chattahoochee Trading House

To John Oliver

D

1822

Mar. 31st For 3 Months service rendered

As an Stewardman & assisting in the

State ending this day at 35 Dollars per month

Dollars 105.00

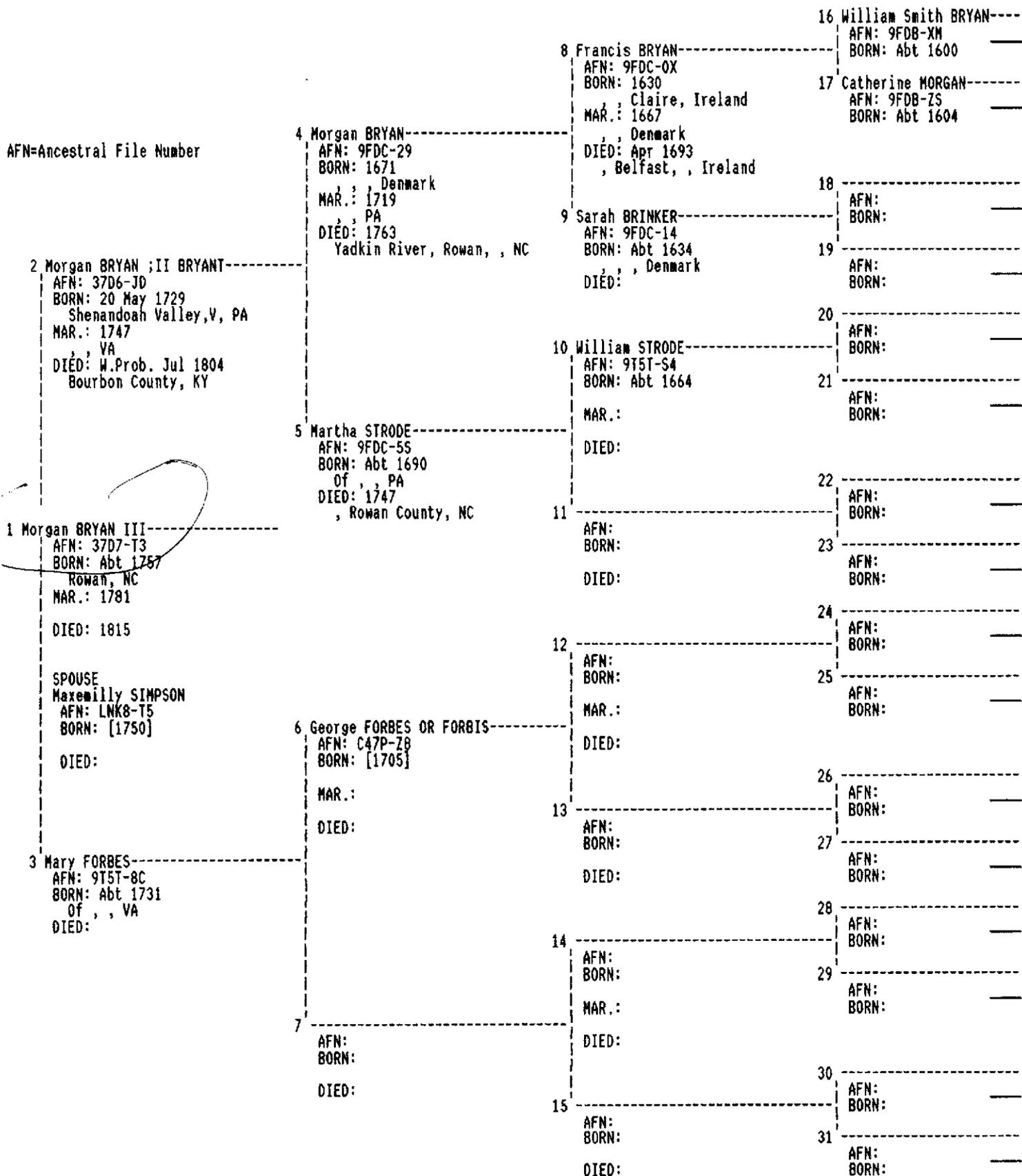
Rec^d from John H. Hays United States Factor
for the Chattahoochee Trading House one hundred and five Dollars
in full for the above debt

Signed Joseph H. Hays
Chattahoochee Trading House
Mar. 31st 1822

John Oliver

No. 1 on this chart is the same as no. _____ on chart no. _____

AFN=Ancestral File Number



UNION RECORDS FROM Ac
 COUNTY CHRISTIAN STATE KY

DEED BK	FROM/TO	NAME	ACRES	PRICE	DATE	REC.	POWER	LOCATION
D-3								
D-91		JOHN BRYANT			1809-			
G2266					1831			
S 6882					1810			
S 6814		EDUCH BRYANT			1814			
\$6882					1810			
P190					1820			
1820c		ESERIEL BRYANT			1820			
Mrs Brey	Hicks	DAVID BRYANT			1820			
M 1810	Maryland Hunter							
1+253		RICHARD BRYANT						
C181								
S 2868		JOHN GROCKET			1803			
POWER B-317								
H-253		NATHAN HADKINS			1809-			
C-4								
M. Wiley Savage		BATTERSON GROCER			1809			
F-474					1806-			
P-257		JOSEPH HADKINS			1820			
S 18347		THOMAS HADKINS			1799			
"								
"		SHOES			"			
"					1807			
"		Robort			"			
A-345								
E-24		NICHOLAS			1805			
S 38232								
Mt Ballou Roberts 1807		JAMES			1807-			
I-474	579120				1818			
A-401		Rein			1810			

GENERAL LIFESPANS

FAULT:

HAZARDINS - CHRISTIAN CO.

1830

NAME	1800	1810	1820	1830	1840	1850	1860	1870	1880	1890	1900	1910	1920	1930
BEDFORD HAZARDINS		P. 54 26-45		P. 34 40-50										
BED. F. H.				P. 34 20-30										
WATSON		P. 69 26-45												
THOMAS PAXTON		P. 80 26-45												
W. M. HAZARDINS		P. 95 26-45	P. 30 26-45											
JANE HAZARDINS		P. 101 26-45			1765-84									
PATERSON GROCKET		P. 102 26-45			1765-84									
DANIEL HAZARDINS		P. 102 26-45	P. 29 26-45		1775-94									
JAMES "			P. 31 26-45		1775-94									
J. L. "			P. 31 45+		<1775									
HENRY			P. 44 26-45	P. 8 20-30	1780-100									
S. J.			P. 44 26-45		1765-94									
S. O.			P. 44 45+		1765-94									

STROTHER STUDIES
Capt. BETHU C. W.

1800-90
1750-60
1765-94
1775-94
1780-100
1765-94

Gaines

BIBLIOGRAPHY WORK SHEET

Read

Family/Subject: Bryan Choctaw Short Title: _____

Author: Gen George Stratton Gaines Title: GAINES REMINISCENCES

Publication: Ala. Hist. Quarterly Vol: 26 Iss: Spring 1964

Publisher: Ala. Archives At: _____

Date: _____ Call No.: _____

Where Found: 50 Hist/BHAM. Page: 139 ff

=====
Family/Subject: Ala. / Choctaw Short Title: AM. STATE

Author: GAINES + SEXTON Title: AMERICAN STATE

PAPERS (Indian Affairs) 3 Vols.

Publication: ~~_____~~ Vol: _____ Iss: _____

Publisher: _____ At: Wash. DC

Date: 1832-1843 Call No.: _____

Where Found: _____ Page: VI 49, 50
VII 95, 113-114
115, 200

=====
Family/Subject: Ala / Choctaw Short Title: Hist of M.

Author: Albert James Rickett Title: History of Alabama

from the earliest period

Publication: _____ Vol: _____ Iss: _____

Publisher: B'ham Book + Magazine Co At: B'ham Al.

Date: 1962 Call No.: _____

Where Found: _____ Page: 510-20, 544-551
599-611

DEED BK	FROM/TO	NAME	ACRES	PRICE	DATE	REC.	DOWER	LOCATION
1977	W.M. H. BRYAN	W.M. L. MOORE TRUSTEE						
1971	EDW. KEWER	WIT H. BRYAN						
19205	JOS. HUFF BRYAN	DAVID GARDNER						
19371	"	R. COLLAN						
48316	STEPHEN COCKE	Joseph Bryan						
58110	JOS. BRYAN + WIFE	Alex F Young						
6856	"	Jos. R. Floyd						
8889	"	Theo. Townsend et al						
8889	"	Steam Mill Co.						
* 98499	W.M. COOPER	J. BRYANT						
108152	JOS BRYAN	Gilena R. Lincicum						
118371	←	Joseph Bryan	1838					NC
16838	ANDREW WEIR	"						
" 381	"	"						
19-301	PAUL SHUFF	JO						
✓	GARDNER LINCICUM	"						
20-526	JOSEPH BRYAN	W.M. HIDDLESTON						
20-749	"	Dunston Banks, TRUST.						
✓	"	JAS. H. SOUTHWELL						
20-747	JAS BRYAN	JOS. BRYAN						

DEED BK	FROM/TO	NAME	ACRES	PRICE	DATE	REC.	DOWNER	LOCATION
21-194	Jos Bryan Trust	Chas H. Abbott						
21-243	"	Ned Berlee						
21-279	✓	Columbus Bridge Co.						
21-293	✓ etal	Jos. Sykes						
4		John M. Marcan						
21-298	✓	Wm G. Sewell						
428	✓	Wm Whitfield						
429	✓	Joseph I Moore						
650	✓	Gid. R. Lincecum						
706	✓	John W. Watson						
706	✓	R. Watson et al						
✓ 649	Geo W Smith	Jos. Bryon						
22-136	Jos. + wife Bryan	Jos. M. Reed						
21-178	Abbott + Wynne	Jos. Bryon						
22-161	JOS Bryan	A. T. Kielbasa Trust.						
161	—	B G Hendrick Jr						
22-213	✓	Abbott + Wynne						
22-226	✓	Mass (Exec V. exp.)						
✓ 241		John H Black						
410		Aurelius N. Jones						

DEED BK	FROM/TO	NAME	ACRES	PRICE	DATE REC.	DOWER	LOCATION
22-51	JOS. BRYAN	C D Weir					
22-581	FRANKLIN BEAD	JOS. BRYAN Franklin Bead					
23 140	JOS. BRYAN	FM TUCKER TRUS.					
23 158	-	Taylor Hale & Mvalock					
23 239	-	FM TUCKER TRUS.					
23 239	✓	Franklin Bros					
24	EDGAR FRAZER	JOS BRYAN					
24-29-32	JOS BRYAN	Seward					
24-29	JERE. BELK	J S BRYANT Trust					
25-36	Mary BRYAN	James Whitfield					
25-37	JAS WHITFIELD	Mary Brown					
28-159	JOS.						
31-628	JESSE	TJ SHARP					
31-662	JESSE + wife	E D GASTON					
31-627	Jesse	Jacob H. Sharpe					
32-646	"	Jacob H "					
36-425	WF SPOONINS	Sarah E					
403-405	S MALL E						
43-582	WB BRYAN	SKEARF					
48-10	WB	W D Humphreys					
48-5	Tucker Curtis	WB B.					
53-574	Joe Bryan	SD Threeman					